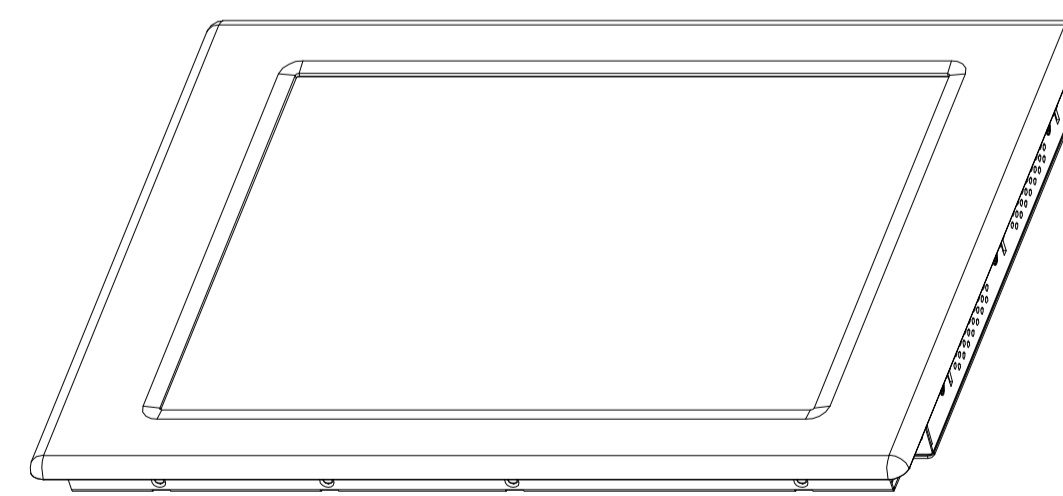
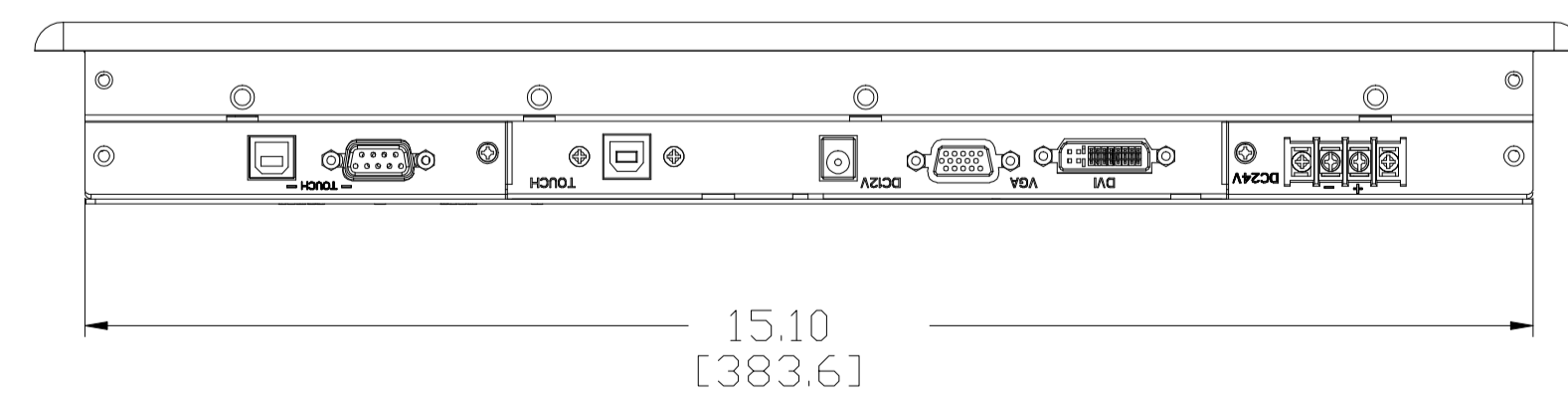
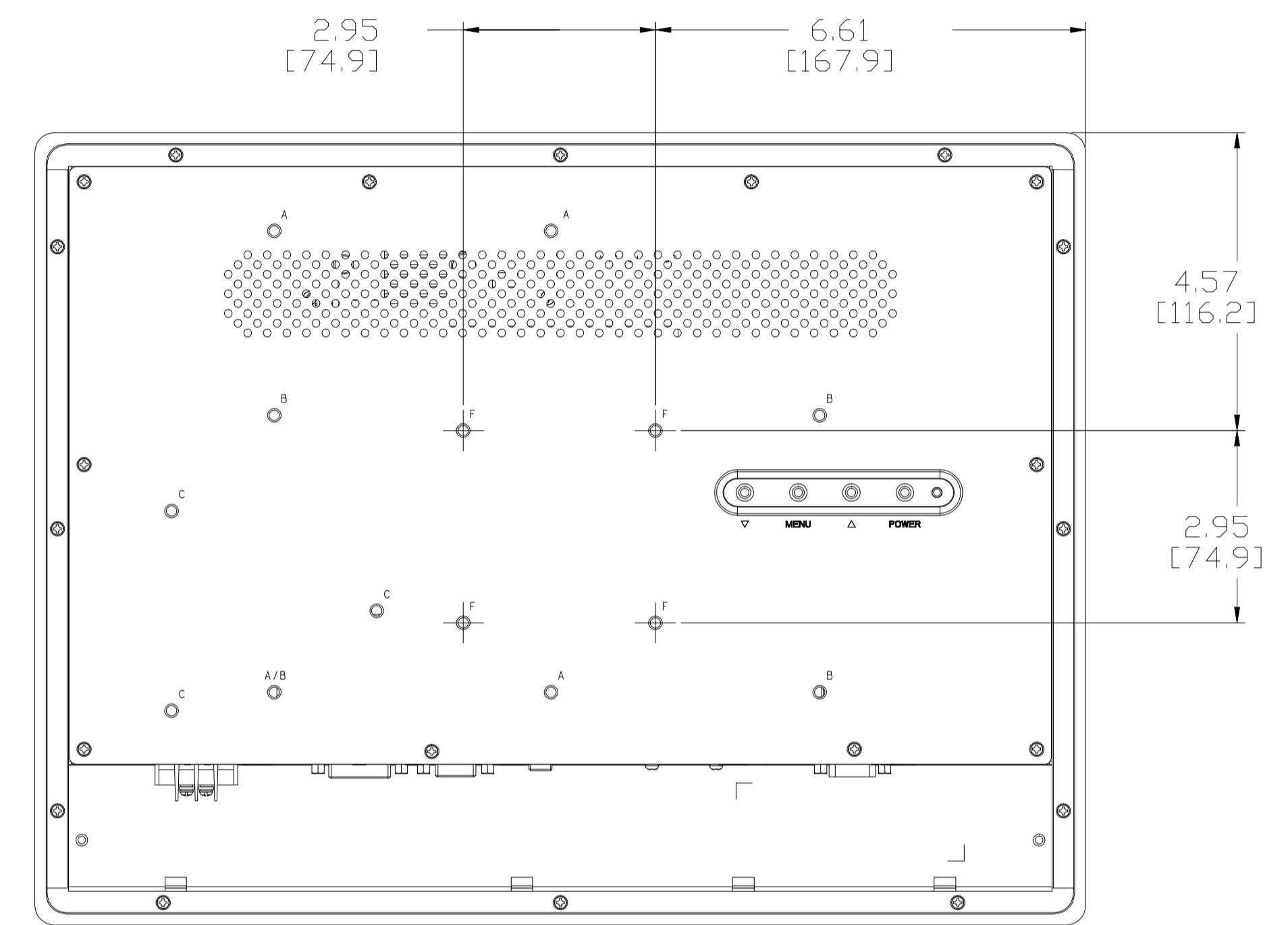
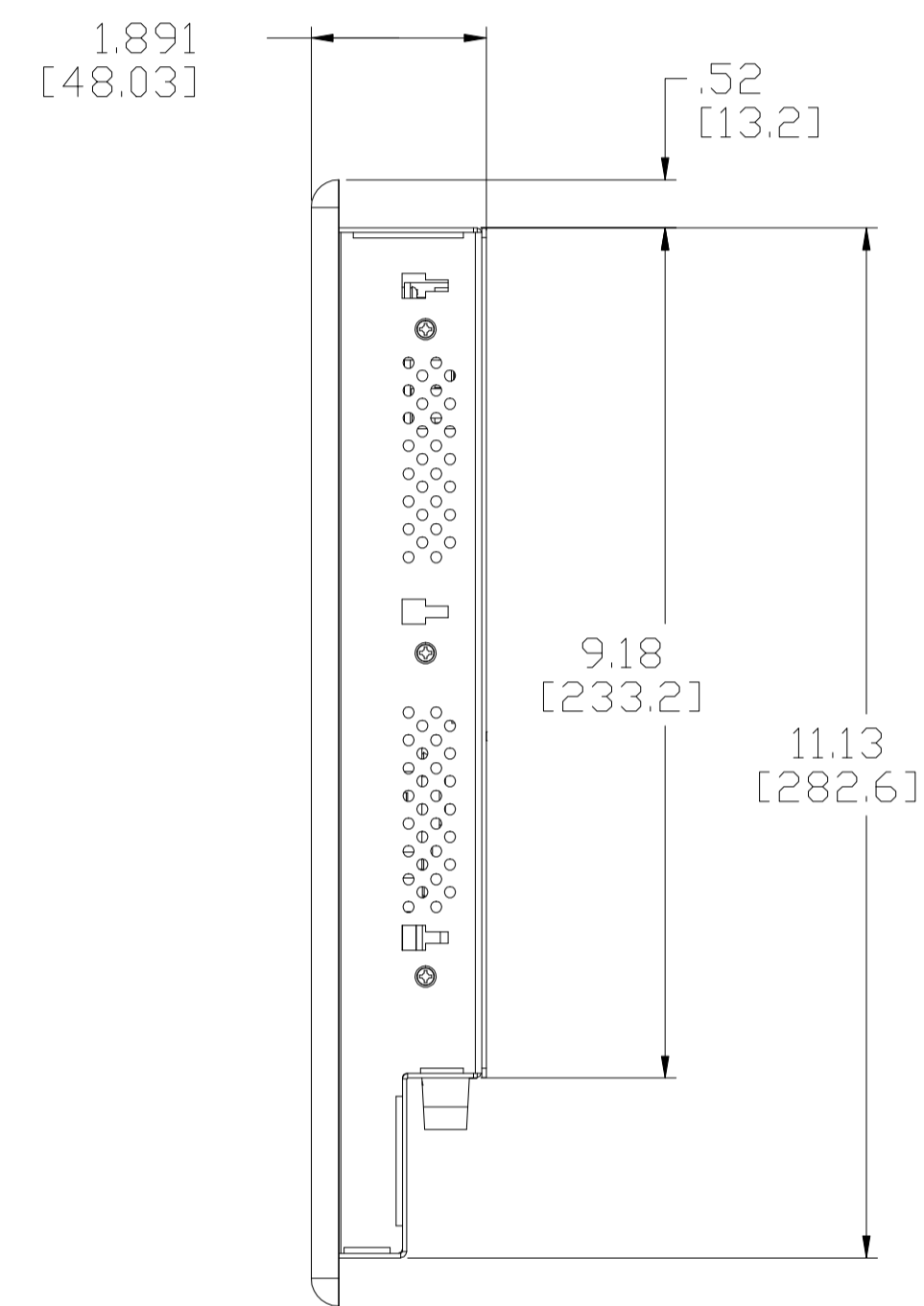
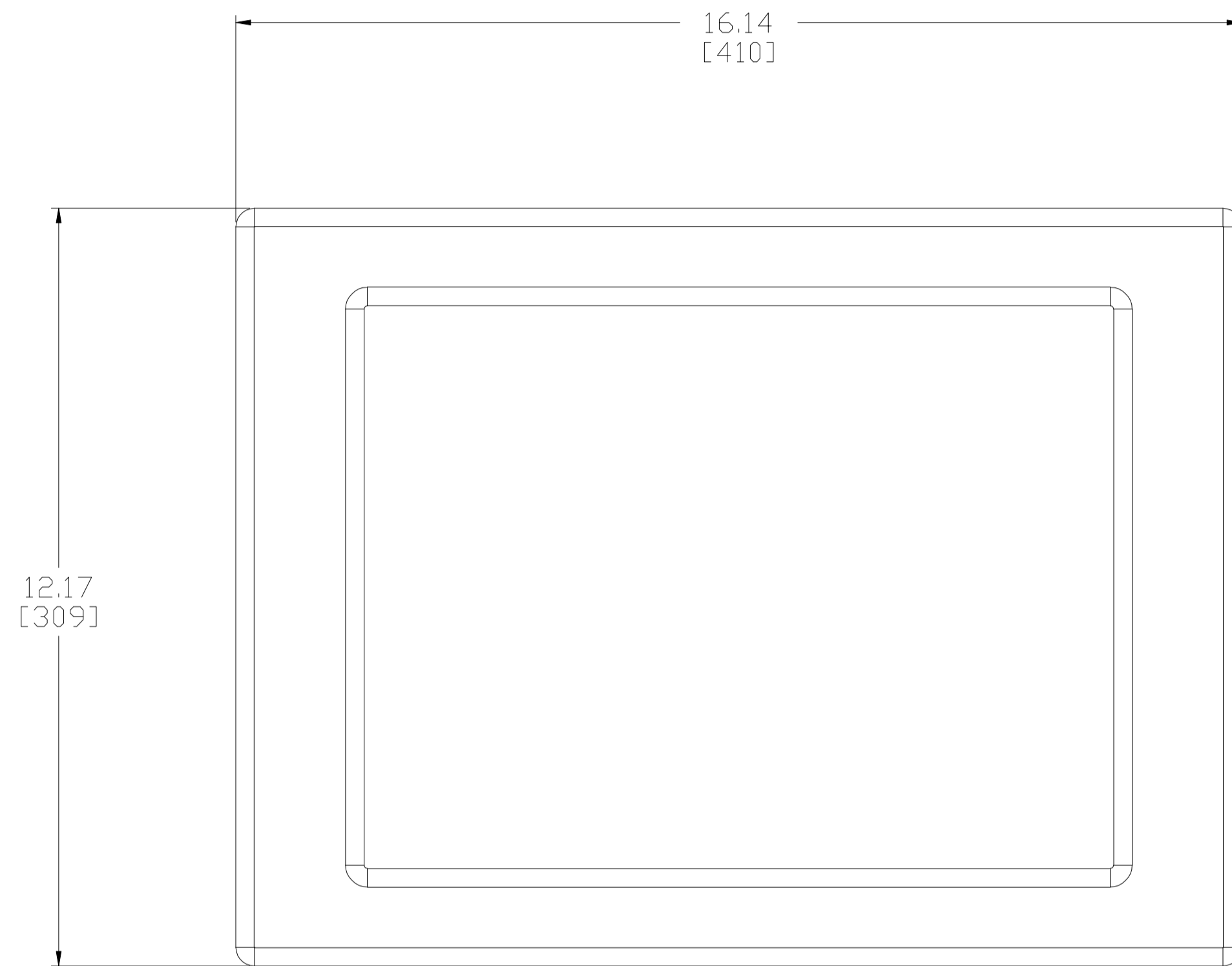


PARTS LIST			
ITEM	QTY	DESCRIPTION	P/N



比例 0.300

ALL DIMENSIONS IN MILLIMETRES  
 THIRD ANGLE PROJECTION

The information disclosed on this document is the exclusive property of ARISTA CORPORATION. Reproduction, disclosure, or the use of this document or information without the written permission of ARISTA CORPORATION is prohibited.

TOLERANCES	A	B	C
0-30mm	±0.1	±0.25	±0.6
30-120mm	±0.15	±0.46	±1.1
120-315mm	±0.2	±0.6	±1.6
>315mm	±0.3	±1.1	±2.5

ZONE	REV	DESCRIPTION	DATE	APPROVED
REVISIONS				
ARISTA CORPORATION 40675 Encyclopedia Circle, Fremont, CA 94538				
TITLE 0_ADM_1815AP_C07_ARC10100				
SIZE	FSCM NO.	DWG NO.	REV	
D				
SCALE	INV. NO.	SHEET	OF	

ECN CN